

INSTRUCTION BOOK FOR

BIRD

SERIES 4600 AND 4800
THRU LINE WATTMETER

LIMITED WARRANTY

All products manufactured by Seller are warranted to be free from defects in material and workmanship for a period of one (1) year, unless otherwise specified, from date of shipment and to conform to applicable specifications, drawings, blueprints and/or samples. Seller's sole obligation under these warranties shall be to issue credit, repair or replace any item or part thereof which is proved to be other than as warranted; no allowance shall be made for any labor charges or for vendor replacement of parts, adjustment or repairs or any other work unless such charges are authorized in advance by Seller.

If Seller's products are claimed to be defective in material or workmanship or not to conform to specifications, drawings, blueprints and/or samples, Seller shall upon prompt notice hereof, either examine the products where they are located or issue shipping instructions for return to Seller, transportation charges prepaid by Buyer. In the event any of our products are proved to be other than as warranted, transportation costs (cheapest way to and from Seller's plant) will be borne by Seller and reimbursement of credit will be made for amounts so expended by Buyer. Every such claim for breach of these warranties shall be deemed to be waived by Buyer unless made in writing within ten (10) days from the date of discovery of the defect.

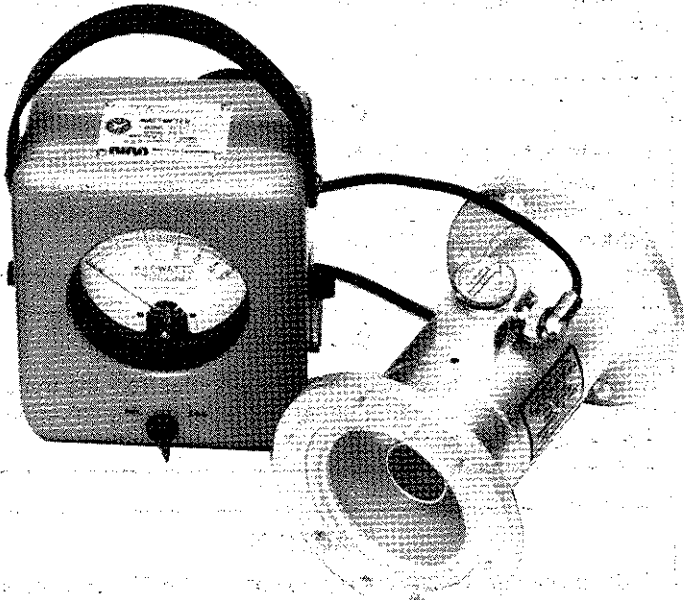
The above warranties shall not extend to any products or parts thereof which have been subjected to any misuse or neglect, damaged by accident, rendered defective by reason of improper installation or by the performance of repairs or alterations outside of our plant, and shall not apply to any goods or parts therefrom held by Buyer or acquired from others at Buyer's request and not to Buyer's specifications. In addition, Seller's warranties do not extend to the failure of tubes, transistors, tubes and batteries, or to other equipment and parts manufactured by others, except to the extent of the original manufacturer's warranty to Seller.

The obligations under the foregoing warranties are limited to the precise terms hereof. These warranties provide exclusive remedies, expressly waiving all other remedies including claims for special or consequential damages. SELLER NEITHER MAKES NOR ASSUMES ANY OTHER WARRANTY, WHATSOEVER, WHETHER EXPRESS, STATUTORY, OR IMPLIED, INCLUDING WARRANTIES OF MERCHANTABILITY AND FITNESS, AND NO PERSON IS AUTHORIZED TO ASSUME FOR SELLER ANY OBLIGATION OR LIABILITY NOT STRICTLY IN ACCORDANCE WITH THE FOREGOING.

MODELS COVERED IN THIS INSTRUCTION BOOK

460	4802-200
4600-037	4802-300
4610-200	4805
4610-300	4805-037

**INSTRUCTION BOOK FOR
SERIES 4600
AND
SERIES 4800
THRULINE® WATTMETER**



BIRD

Electronic Corporation

30303 Aurora Road, Cleveland, Ohio 44139-2794

Copyright 1989 by Bird Electronic Corporation

SAFETY PRECAUTIONS

The following are general safety precautions that are not necessarily related to any specific part or procedure and do not necessarily appear elsewhere in this publication.

Keep away from live circuits.

Operating personnel must at all times observe normal safety regulations. Do not attempt to replace parts or disconnect a RF transmission or any other high voltage line while power is applied. When working with high voltage always have someone present who is capable of rendering aid if necessary. Personnel working with or near high voltage should be familiar with modern methods of resuscitation.

The following will appear in the text of this publication and is shown here for emphasis. *ARE*

CAUTION

The wattmeter, the THRULINE® Element and the RF line section, collectively referred to as THRULINE® in the remainder of this section, all have matching serial numbers. Do not intermix these parts with parts from other THRULINE® equipment.

WARNING

Never attempt to disconnect the RF wattmeter from the transmission line while RF power is being applied. Leaking RF energy is a potential health hazard.

CAUTION

Under no circumstances attempt to remove the RF center conductor. It is tightly frozen in place and any attempt to remove it will ruin the assembly.

TABLE OF CONTENTS

Page

SAFETY PRECAUTIONS	i
---------------------------------	---

INTRODUCTION

Purpose and Function	iv
Performance Characteristics and Capabilities	iv
Dimensions and Weight	iv
Power and Utility Requirements	iv
Environmental Requirements	iv
Items Furnished	v
Items Required	v
Tools and Test Equipment	v

SECTION I - INSTALLATION

Location	1
Coupling Kits	1
Mounting	1
Meter Placement	2

SECTION II - THEORY OF OPERATION

Travelling Wave Viewpoint	3
Coupling Circuit	3
Element Socket	4
Matching	4
Load Power	4
P VS θ and its Significance	5
Measurement and Monitoring of Transmitter Power	5

SECTION III - OPERATING INSTRUCTIONS

Use and Function of Controls	6
Initial Adjustments and Control Settings	6
Start-Up	6
Normal Operation	7
Operation Under Emergency, Adverse or Abnormal Conditions	7
Shutdown	7
Emergency Shutdown	7

SECTION IV - MAINTENANCE

Troubleshooting	8
Cleaning	9
Inspection	9
Preventive Maintenance	9
Line Section Care	9

Continued

TABLE OF CONTENTS

Page

SECTION IV - MAINTENANCE (continued)

Disassembly	10
Reassembly	10
Repairs	10
Contact Adjustment	10

SECTION V - PREPARATION FOR RESHIPMENT

Elements	11
Line Section	11
DC Cables	11
Meter	11

SECTION VI - STORAGE

General	12
---------------	----

SECTION VII - REPLACEMENT PARTS LIST

Series 4600 and 4800	13
----------------------------	----

ILLUSTRATIONS

Outline Drawing of Line Section	ix
Element Schematic	x

TABLES

Specifications	vi
Element Table	viii

A = SPACE

SERIES 4600 AND 4800 THRULINE® WATTMETER

INTRODUCTION

PURPOSE AND FUNCTION

The Series 4600 and 4800 THRULINE® Wattmeter are directional RF wattmeters that detect and measure power flow in either direction in 3-1/8 inch coaxial transmission lines. They are designed for a 50 ohm characteristic impedance. Therefore, they are useful for load matching in standard coaxial lines. Power levels are indicated on a direct reading meter corresponding with the elements selected by the user.

PERFORMANCE CHARACTERISTICS AND CAPABILITIES

Elements are available for measuring power levels up to 100 kW (30 kW for Models 4600-037, 4610-300, 4805-037 and 4802-300) full scale in stated frequency bands from 2 to 1000 MHz (50 to 250 MHz for Models 4600-037, 4610-300, 4805-037 and 4802-300). The maximum measurement error is $\pm 5\%$ of the full scale power rating of the element. The insertion VSWR (voltage standing wave ratio) will not exceed 1.05 to 1.00 over the stated frequency band.

DIMENSIONS AND WEIGHT

The flanged line sections of Models 460, 4610-200, 4600-037 and 4610-300 are 7-1/32" from flange face to flange face. The barrel of the line section is 3-1/8" diameter and the flange fittings are 5-1/8". The weight of the single socket line section is 7 lbs. (3kg) and the double socket 7-1/4 lbs. (3.3kg). The unflanged line sections of Models 4805, 4802-200, 4805-037 and 4802-300 are 6-1/2" from end to end and the barrel 3-1/8" diameter. The single socket line section weighs 4 lbs. (2kg) and the double socket 4-1/4 lbs. (2.02kg). The meter and housing are 5-9/16" W x 6-1/2" H x 3-3/8" L (141 x 165 x 86mm) and weighs 5 lbs. (2.3kg). Add 2 lbs. (0.9kg) for the overall shipping weight.

POWER AND UTILITY REQUIREMENTS

Because THRULINE® Wattmeters are passive and self-contained devices, they do not require power or utility service other than the RF power in the coaxial line.

ENVIRONMENTAL REQUIREMENTS

THRULINE® Wattmeters should be used preferably in a dust and vibration free environment. Measurements should be made at $25^{\circ}\text{C} \pm 5^{\circ}\text{C}$ ($77^{\circ}\text{F} \pm 9^{\circ}\text{F}$) for maximum measurement accuracy.

4600S/4800S

Jan. Can you make the scale more like a degree design rather than a zero?

ITEMS FURNISHED

Series 4600 and 4800 THRULINE® Wattmeters consist of a line section, a meter in a housing and connecting cables.

The line section is a short length of matching 3-1/8 inch coaxial transmission line. The Models 460, 4610-000, 4600-037 and 4610-300 line sections have bolt flanges that are fixed on one end and swivel type on the other. Models 4805, 4802-200, 4805-037 and 4802-300 are unflanged line sections.

The meter is scaled in 5, 10 and 25kW ranges for Models 460, 4610-200, 4805, and 4802-200. Models 4600-037, 4610-300, 4805-037 and 4802-300 are scaled for 15, 30 and 60kW ranges.

A standard ten foot (3 meter) cable/s is supplied with each wattmeter and is equipped with a dc connector plug on one end and lugs on the other. Alternate lengths are available on request. This instruction book is the only other item supplied.

ITEMS REQUIRED

The coaxial transmission line must be equipped with 3-1/8 inch flanged or unflanged connectors to match the line section. An appropriate coupling kit per paragraph 1-3 will be required. Additional elements may be ordered for the desired frequency bands and power levels (See Element Tables, Page viii.)

TOOLS AND TEST EQUIPMENT

ADJUSTABLE

Screwdrivers and a ~~creesent~~ adjustable wrench or end-wrench for the flange nut and bolt sets are the only tools required for the Series 4600 and 4800 Wattmeters.

*"Crescent" is a
trade mark for
a tool Co.*

SPECIFICATIONS FOR SERIES 4600 AND 4800 THRULINE® WATTMETER

Impedance 50 ohms nominal

Insertion VSWR 1.05:1.00 maximum

Connectors

Models 460, 4610-200, 4600-037 & 4610-300 ... 3-1/8" EIA Flanged

Models 4805, 4802-200, 4805-037 & 4802-300 .. 3-1/8" Unflanged

Power Range

Models 460, 4610-200, 4805 & 4802-200 1-100kW maximum

Models 4600-037, 4610-300, 4805-037 & 4802-300 1.5-30kW maximum

Frequency Range

Models 460, 4610-200, 4805 & 4802-200 2-1000MHz

Models 4600-037, 4610-300, 4805-037 & 4802-300 50-250MHz

Note - Actual frequency and power ranges are determined by the element used, see Page viii.

Accuracy ± 5% of full scale

Dimensions

Flanged Line Section 7-1/32" L (179mm)

Unflanged Line Section 6-1/2" L (165mm)

Meter 3-3/8" L x 5-9/16" W x 6-1/2" H (86 x 141 x 165mm)

Weight

Flanged Line Section Approx. 7.25 lbs. (3.3kg)

Unflanged Line Section Approx. 4.25 lbs. (2.0kg)

Meter 5 lbs. (2.27kg)

Ambient Temperature 25°C ± 5°C (77°F ± 9°F)

Finish

Meter Housing Light navy grey baked enamel (MIL-E-15090)

Line Section Bright silver plate

Continued

SPECIFICATIONS FOR SERIES 4600 AND 4800 THRULINE® WATTMETERS

Model Number	Frequency Range MHz	Power Range kW	Scale	Element Table	Connector Type	Sockets
460	2-1000	1-100	5/10/25	3-1/8A	3-1/8" Flg	Single
4610-200	2-1000	1-100	5/10/25	3-1/8A	3-1/8" Flg	Double
4805	2-1000	1-100	5/10/25	3-1/8A	3-1/8" Unfl	Single
4802-200	2-1000	1-100	5/10/25	3-1/8A	3-1/8" Unfl	Double
4600-037	50-250	1.5-30	15/30/60	3-1/8B	3-1/8" Flg	Single
4610-300	50-250	1.5-30	15/30/60	3-1/8B	3-1/8" Flg	Double
4805-037	50-250	1.5-30	15/30/60	3-1/8B	3-1/8" Unfl	Single
4802-300	50-250	1.5-30	15/30/60	3-1/8B	3-1/8" Unfl	Double

Note:

a. Models 460 and 4805 utilize meter in housing assembly, P/N 6810-009-7 and replacement meter, P/N ~~2000-030~~.

2150-230

b. Models 4610-200 and 4802-200 utilize meter in housing assembly, P/N 6810-020 and replacement meter, P/N ~~2000-030~~.

2150-230

c. Models 4600-037 and 4805-037 utilizes meter in housing assembly, P/N 6810-007 and replacement meter, P/N ~~2000-059~~.

22

2150-259

d. Model 4610-300 and 4802-300 utilizes meter in housing assembly, P/N 6810-030 and replacement meter, P/N ~~2000-039~~.

2150-259

TABLE I-1. Element Table for Series 4600 and 4800 THRULINE® Wattmeters

**TABLE 3-1/8 A
STANDARD ELEMENTS (CATALOG NUMBERS)***

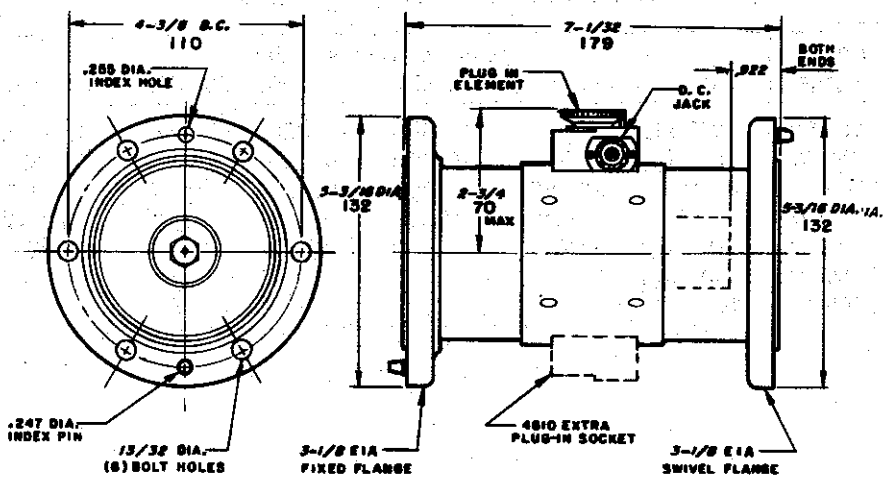
Power Range	Frequency Bands (MHz)					
	2-30	25-60	50-125	100-250	200-500	400-1000
1000W	1000H3	1000A3	1000B3	1000C3	1000D3	1000E3
2500W	2500H3	2500A3	2500B3	2500C3	2500D3	2500E3
5000W	5000H3	5000A3	5000B3	5000C3	5000D3	5000E3
10kW	10KH3	10KA3	10KB3	10KC3	10KD3	10KE3
25kW	25KH3	25KA3	25KB3	25KC3	25KD3	25KE3
50kW	50KH3					
100kW	100KH3					

**TABLE 3-1/8 B
STANDARD ELEMENTS (CATALOG NUMBERS)***

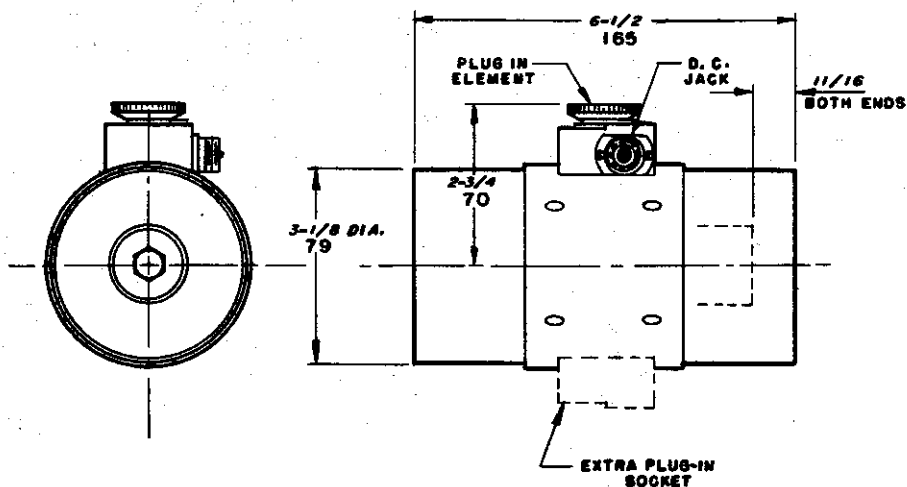
Power Range	Frequency Bands (MHz)	
	50-125	100-250
1500W	1500B3	1500C3
3000W	3000B3	3000C3
6000W	6000B3	6000C3
15kW	15KB3	15KC3
30kW	30KB3	30KC3

*When ordering, specify catalog number and line section model number.

FIGURE 1-1. OUTLINE DRAWING OF LINE SECTION.

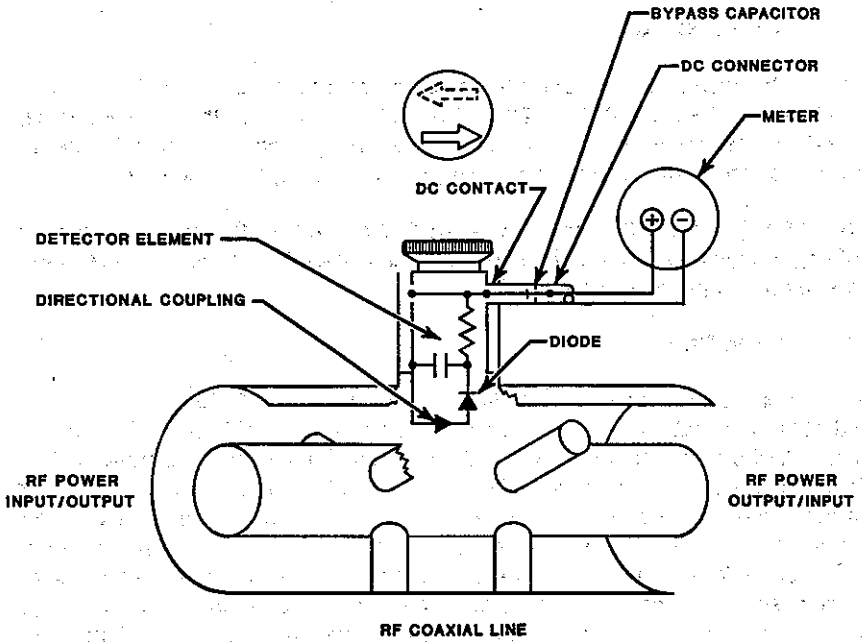


MODEL 4600 LINE SECTION OUTLINE



MODEL 4800 LINE SECTION OUTLINE

FIGURE I-2. SCHEMATIC DIAGRAM.



4600 / 4800 ELEMENT CIRCUITRY

SECTION I - INSTALLATION

1-1. LOCATION

1-2. The measuring section is installed in a 3-1/8 inch 50 ohm coaxial line where measurement is desired and the insertion coupling is feasible. Be sure that all exposed electrical surfaces, both on the metal contacts and insulators, are thoroughly clean and free of moisture before making the installation.

1-3. COUPLING KITS

1-4. The line section is a short length of matching 3-1/8 inch coaxial transmission line. For Models 460, 4610-200, 4600-037 and 4610-300 the line section has bolted flanges that are fixed on one end and swivel type on the other. It is inserted into the existing transmission line using a coupling kit, P/N 4600-020.

1-5. For Models 4805, 4802-200, 4805-037 and 4802-300, the line section is unflanged. It is inserted into the existing transmission line using an unpressurized straight coupling kit, P/N 5-726.

1-6. MOUNTING

1-7. For the models with flanged line sections, Models 460, 4610-200, 4600-037 and 4610-300 Wattmeters, the center conductor anchor bullets, P/N 4600-021, mate with the center conductor of the 3-1/8 inch 50 ohm coaxial transmission line. This line should be fitted with 3-1/8 inch EIA bolt-type flanges. It is permissible for the mating flanges of the stationary line to both be of the rigid type because the line section has a rigid type flange on one end and a swivel type flange on the other. Before fitting bolts to the coupling flanges, make sure the measuring element socket is oriented for easy access and operation of the plug-in element. Also, check that the center conductor anchor bullets have been positioned with insulators properly seated in the counterbores. Use 12 suitable bolt assemblies for attachment, 3/8-16 x 1-1/2 nut and bolt assemblies are recommended. It is usually better to attach the fixed flange of the measuring section first. Tighten evenly all around to get a firm and uniform contact on the periphery of the outer conductor of both flanges. When properly installed, the coaxial line should be continuous with no bends or offsets in its axial line.

~~1-8.~~ For the models with unflanged line sections, Models 4805, 4802-200, 4805-037 and 4802-300 Wattmeters, the connector bullets mate with the center conductor of the 3-1/8 inch 50 ohm coaxial transmission line. Insert the bullets firmly in the center conductor of the line section and push them in until they bottom in the conductor. The insulator discs will approximately touch the inside face of the outer conductor. Slide the outer sleeves over the transmission line first and then insert the line section into the transmission line. Both bullets should be firmly seated in the center conductor with the ends of the line section butted snugly against the ends of the transmission line. Then slide the outer sleeve over the junctures of the line section and the transmission line and tighten the clamping band screws to complete the installation.

1-9. METER PLACEMENT

1-10. Connect the dc cable plug to the jack on the measuring element socket. Make certain that the connection is tight and clean to ensure accurate readings, see Section IV - Maintenance. The meter may be placed anywhere within the reach of the dc cable, but avoid locations that are dusty or subject to temperature extremes.

SECTION II - THEORY OF OPERATION

2-1. TRAVELLING WAVE VIEWPOINT

2-2. The best way to visualize the THRULINE® idea is from the Travelling Wave viewpoint on transmission lines, which illustrates that the voltages, currents, standing waves, etc., on any uniform line section are the resultants of two travelling waves.

2-3. COUPLING CIRCUIT

2-4. The coupling circuit which samples the travelling waves is in the plug-in element. Energy will be produced in the coupling circuit of the element by both mutual inductance and capacitance from the travelling RF waves of the line section. Of course, the inductive currents will flow according to the direction of the travelling waves producing them.

2-5. The capacitive position of these currents are naturally independent of the direction of the travelling waves. Therefore, it is apparent that the inductive portion of the current produced from the waves of one direction will add in phase to the capacitive portion of the current, and those of the opposite direction will subtract in phase. Of course, the additive direction is the forward or arrow direction of the element.

2-6. The Forward Wave travels and its power flows from the source to the load. It has an RF Voltage E_f and current I_f in phase, with $E_f/I_f = Z_0$.

2-7. The Reflected Wave originates by reflection at the load, travels and its power flows from the load back to the source and also has an RF voltage E_r and current I_r in phase, with $E_r/I_r = Z_0$.

2-8. Note that each component wave is mathematically simple, and is completely described by a single figure for power, for instance:

$$W_f = \text{Watts Forward} = E_f^2/Z_0 = I_f^2 Z_0 = E_f I_f$$

$$W_r = \text{Watts Reflected} = E_r^2/Z_0 = I_r^2 Z_0 = E_r I_r$$

2-9. Z_0 is the characteristic impedance of the uniform line, and simplifies matters by being a pure resistance, usually 50 ohms for useful lines. The main RF line circuit of the THRULINE® is a short piece of uniform air line section, whose Z_0 is exactly 50 ohms, in which accurate measurements may be made.

2-10. The electrical values of the element circuits are carefully balanced and so designed that the inductive current produced from the reverse direction wave will cancel its portion of the capacitive current almost completely. The result is a directivity always higher than 25dB, which means that the element is highly insensitive (nulled) to the reverse direction wave. By being highly directional, the THRULINE® Element is sensitive at one of its settings, but to only one of the

two travelling waves which produce standing waves by interference. THRULINE® measurements are also independent of their position along the standing waves. It may be said that the THRULINE® doesn't know, doesn't care, and doesn't need to care where it is along a standing wave. The circuitry of the element and its relationship to the other components of the THRULINE® are illustrated in Figure I-2.

2-11. ELEMENT SOCKET

2-12. An accurately positioned socket for inserting a radio frequency coupling device, called a THRULINE® Plug-In Element, is mounted on the outer conductor. The line sections for 4610-200, 4802-200, 4610-300, and 4802-300 have two such sockets. The socket is precision bored to hold the rotatable element in its calibrated position, with a spring-loaded clasp to keep the element firmly seated. The machined step on the top face of the socket engages a stop-pin on the element. Rotary movement of the element is thereby restricted to 180° and is stopped on the axial center line.

2-13. The measuring socket has a hole bored through the wall through which an insulated phosphor bronze contact finger projects. The plug-in element has terminals on diametrically opposite sides of its body, so that pick-up can be made from either side. A small silvered button tip can contact the element only in the precise forward and reflected measuring position (against the end stops). A specially designed jack mounted on the side of the socket mates with the plug on the dc cable furnished with the read-out meter. The dc jack assembly has a built-in filter capacitor shunted across the meter circuit. This more fully protects meter readings against the adverse effects of any stray RF energy generated in the plug-in element. The line section is bright silver plated over practically all of its metal parts.

2-14. MATCHING

2-15. The scale on the read-out meter reads full scale for the power rating stamped on the cap of the plug-in element. The meter box, the plug-in element and the THRULINE® section are all stamped with matching serial numbers. This equipment is supplied as a matched and calibrated set, and the parts, particularly the elements, should not be interchanged with any other Series 4600 and 4800 unit. Such an interchange of the measuring elements could produce readings with an error greater than the stated $\pm 5\%$ of full scale accuracy.

2-16. LOAD POWER

2-17. Power delivered to and dissipated in a load is given by:

$$W_l = \text{Watts into Load} = W_f - W_r$$

Where appreciable power is reflected, as with an antenna, it is necessary to subtract the reflected power from the forward power to get the load power.

This correction is negligible (less than 1%) if the load is such as to have a VSWR of 1.2:1.0 or less. Good load resistors, such as Series 8700 RF Loads, will thus show negligible or unreadable reflected power.

2-18. VSWR scales and their attendant controls for setting the reference point, have been intentionally omitted from the THRULINE® for two reasons.

a. Why make something similar to a hypothetical dc volt-ohm-meter with control pots for the voltmeter multipliers? Even more complications arise when diodes at RF are involved.

b. Experience using the THRULINE® on operating problems, such as transmitter tune-up, antenna matching etc., shows that the power ratio ϕ is no mean competitor, in practical usefulness, to the standing wave ratio $P = \text{VSWR}$.

2-19. A trial is suggested for a few days - forget VSWR and try thinking in terms of $\phi = W_r/W_f$ when the THRULINE® is used. It will be noted that even without bothering to calculate the ratio exactly, the two meter readings W_r and W_f give an automatic mental impression which pictures the situation. Thus, in an antenna matching problem the main objective usually is to minimize W_r , and anything done experimentally to this end is noted directly when the THRULINE® is turned to the reflected position. Furthermore, the ratio of readings even if only mentally evaluated, is a reliable guide to the significance of the remaining reflected power.

2-20. P VS ϕ AND ITS SIGNIFICANCE

2-21. Since there are definite simple relationships:

$$\rho = \frac{1+\sqrt{\phi}}{1-\sqrt{\phi}} \text{ and } \phi = \left[\frac{\rho-1}{\rho+1} \right]^2 \text{ where } \rho = \text{VSWR} \text{ and } \phi = \frac{W_r}{W_f}$$

between standing wave ratio P and the reflected/forward power ratio ϕ indicated by the THRULINE®, the latter may be conveniently used to measure VSWR. Note that around $\phi = 10\%$, below which W_r will appear insignificant and may be hard to read, you are close to the commonly accepted lower limit $P = 2$. Trying to adjust to an even lower value of ϕ , in order to improve antenna match still further, becomes less and less worthwhile in many systems. Experimentally by using the THRULINE® it can be readily shown that reducing ϕ below 10% produces little in the way of increased W_f . TV transmitter antenna lines, and VHF omnirange transmitters are among those systems that require much lower levels of reflected power but for reasons other than simple power transmission. A very small level of reflected power; i.e., $\phi = .06\%$ corresponds to $P = 1.05$. With just a single element suitable for measuring W_f , detection of reflected power is possible down to about $\phi = 1\%$ ($P = 1.2$), providing W_f approaches full scale. However, measurement is possible only down to about $\phi = 5\%$, ($P = 1.5$).

2-22. MEASUREMENT AND MONITORING OF TRANSMITTER POWER

2-23. Little more need be said about this in view of the preceding load power discussion. The THRULINE® is useful for the continuous monitoring of transmitter output and is also helpful for the continuous monitoring of reflected power, for instance in checking intermittent antenna or line faults.

2-24. Like diode devices generally the THRULINE® indicates the carrier component on amplitude modulation, with very little response to side band components added by modulation.

SECTION III - OPERATING INSTRUCTIONS

3-1. USE AND FUNCTION OF CONTROLS

CAUTION

The wattmeter, the THRULINE® Element and the RF line section, collectively referred to as THRULINE® in the remainder of this section, all have matching serial numbers. Do not intermix these parts with parts from other THRULINE® equipment.

3-2. The salient features of the THRULINE® equipment have been discussed in Section I - Installation and Section II - Theory Of Operation . Measurements are made by the insertion and operation of the plug-in elements previously mentioned. The elements will have a power range that corresponds with one of the scales on the meter face, and the major markings are the power values for that element. Elements are also marked for frequency range. The transmitter power and frequency must be within the limitations of the element used.

3-3. The arrow on the plug-in element indicates the sensitive direction; i.e., the direction of power flow which the meter will read. Forward and reflected are directional terms used in reference to the THRULINE® Element, and mean respectively the sensitive and null directions of the element. Rotate the element 180° to reverse the sensitive direction. Forward and reflected also are directional terms used in reference to the source-load circuit. Note that the transmitter line may be attached to either connector of the RF line section. It makes no difference which external RF connection is selected, since the elements are reversible and the RF circuit is symmetrical to end from end. For Models 4610-200, 4802-200, 4610-300 and 4802-300 a FWD (Forward) and RFL (Reflected) selector switch is provided. Used in conjunction with the double socket line section included with these models, it makes measuring the desired power flow much more convenient.

3-4. INITIAL ADJUSTMENTS AND CONTROL SETTINGS

3-5. Before taking readings be sure that the meter pointer has been properly zeroed under zero power conditions. Direct power readings are made from the wattmeter dial. For double socketed line section models, set the selector switch for the desired direction of power measurement, unless separate meters are used for forward and reflected power.

3-6. START-UP

3-7. After the line section is properly installed in the transmission line and the dc connector cables from the element socket to the meter have been attached, see Section I - Installation, nothing more is required.

3-8. NORMAL OPERATION

3-9. Insert the appropriate element in the socket of the line section and rotate the element so that the arrow on its nameplate is pointed away from the RF source for forward power and towards the source for reflected power. Turn on the RF source and read the power level from the appropriate meter scale.

3-10. OPERATION UNDER EMERGENCY, ADVERSE OR ABNORMAL CONDITIONS

3-11. The elements for the THRULINE® Wattmeter can withstand at least a 20% of full scale, overload. The meter pointer will be deflected off scale, during overload conditions, but generally no damage to the meter movement will occur. This, however, is not a very propitious condition and should be avoided. This usage will, nevertheless, give an indication of the magnitude of power flow in the line section if necessary. See paragraph 3-15 concerning this sort of operation.

3-12. SHUTDOWN

3-13. Because these THRULINE® Wattmeters are passive devices and require no external source of power, they can not be shut off. The RF source must be shut off instead.

3-14. EMERGENCY SHUTDOWN

WARNING

Never attempt to disconnect the RF wattmeter from the transmission line while RF power is being applied. Leaking RF energy is a potential health hazard.

3-15. In case of an overload, it is possible to rotate the element to the midpoint between the forward and reflected positions and thereby electrically decouple the element from the center conductor. For safety's sake do not attempt to remove the element while RF power is still flowing through the line section.

SECTION IV - MAINTENANCE

4-1. TROUBLESHOOTING

4-2. As a brief guide to the operator in isolating occasional difficulties that may occur in the use of the THRULINE®, the following summary is included. The remedies for some are referenced to the text in this section or are self-evident.

PROBLEM	POSSIBLE CAUSE	REMEDY
No Meter Indication	No RF power	Check RF source.
	Arrow on plug-in element pointed in wrong direction	Re-position element.
	No pick-up from dc contact finger	Adjust, see Paragraph 4-21.
	Open or short circuit in dc meter cable	Replace defective cable (RG-58/U).
Intermittent or Inconsistent Meter Readings	Meter burned out or damaged	Return wattmeter, line and elements to the factory for meter replacement and recalibration.
	Faulty transmission line	Inspect line.
	Faulty load	Check load or antenna.
	Dirty dc contact on elements	Clean, see 4-3, Cleaning.
High VSWR or Reflected Power	Sticky or defective meter	Return wattmeter, line section and elements to the factory for meter replacement and recalibration.
	Bad load or poor connectors	Replace load or connectors, check and repair antenna.
	Shorted or open transmission line	Have line serviced. Check connections.
	Foreign material in line section or in RF connector bodies	See Paragraph 4-12.

4-3. CLEANING

4-4. If any of the contacts or line connector become dirty, they should be wiped off with a clean dry cloth. Use a contact cleaner that is self-drying, but nonresidue forming, on the inaccessible internal parts. Clean all contact areas and especially the exposed faces of the teflon insulators.

4-5. It is particularly important to keep the mating surfaces of the socket and plug-in element clean. This applies not only to the bore of the socket and the circumference of the THRULINE® element body, but most particularly to the bottom rim of the element body and the seat at the base of the socket in the line section. Also check the ends of the insulated dc contacts on the THRULINE® element. They should be clean and smooth. These parts can be carefully cleaned with a soft cloth and contact cleaner as mentioned. There must be a good contact between the base of the plug-in element and its socket to assure stable operation of the THRULINE®.

4-6. INSPECTION

4-7. Inspect the THRULINE® from time to time for cleanliness and proper adjustment, see 4-3, Cleaning and 4-8, Preventive Maintenance. Make sure all connections are clean and tight. Disconnect the meter lead and check the zero setting without power, adjust if necessary.

4-8. PREVENTIVE MAINTENANCE

4-9. With the simple construction and generally self-contained nature of the THRULINE® equipment, there is only a moderate amount of maintenance required. One of the major precautions is in handling: Use reasonable care and do not drop the THRULINE® equipment or especially the plug-in elements.

4-10. The main factor in maintenance is care and cleanliness. The element socket should be kept plugged as much as possible to prevent the intrusion of dust. If a plug-in element is to be used for this purpose, use the highest power element available. The element should be positioned so that the arrow is pointing midway between the forward and reflected measuring positions. This will not only protect the meter but will also avoid exposing the element diode to dangerous potentials if the RF line section should be energized.

4-11. LINE SECTION CARE

CAUTION

Under no circumstances attempt to remove the RF center conductor. It is tightly frozen in place and any attempt to remove it will ruin the assembly.

4-12. If there is any evidence of contamination inside the RF line section, the reachable portions should be cleaned and the interior carefully blown out. Keep all connections tight, and keep the nut of the meter cord plug turned tight on the line section dc jack. This connection may often be serviced by simply loosening the nut of the dc plug, rotating the body several times through a fraction of a turn, and retightening the knurled nut securely.

4-13. **DISASSEMBLY**

4-14. There is no disassembly possible of the THRULINE® other than the disconnection of the line section and the dc cable, see Section I - Installation.

4-15. **REASSEMBLY**

4-16. See Paragraph 4-14.

4-17. **REPAIRS**

4-18. There are no replacement parts furnished with this equipment. As previously mentioned, components of these matched units, cannot be interchanged or individually replaced. The only replaceable portions of the line section are standard parts of coaxial line fastenings.

4-19. Repairs beyond what are covered in this instruction book will require return of the equipment to the factory for service. Please consult the factory.

4-20. **CONTACT ADJUSTMENT**

4-21. In cleaning the socket bore, the operator should be careful not to disturb the spring finger of the dc contact. It is important that the operating position of this part be properly maintained. If the spring finger of the dc contact requires adjustment, it may be done manually if carried out with care. The tip must be positioned far enough out to maintain good contact with the element, but not so far as to interfere with easy entry of the element body. The dc jack, with attached spring finger, may be detached for service by removing the two 4-40 fillister head machine screws which fasten it to the side of the RF line section. Then lift off the jack assembly carefully to avoid losing the small teflon insulating bead that straddles the base of the phosphor bronze spring and nests in the counterbore on the side of the RF body. When replacing the assembly, be sure that the bead is again properly inserted.

SECTION V - PREPARATION FOR RESHIPMENT

5-1. ELEMENTS

5-2. The elements may be left in the sockets of the line section with their arrows turned midway between the measuring positions. Two additional elements can be placed in the storage sockets in the sides of the meter housing. Any additional elements should be well padded and wrapped before being placed in the shipping container.

5-3. LINE SECTION

5-4. Wrap the connectors on the flanged models with padding and tape it securely in place. Cover both ends of the line section and the socket to keep out dust and foreign material. Place the line section in a sturdy shipping container; a corrugated paper box should suffice.

5-5. DC CABLES

5-6. Pad and wrap the dc connector plugs and then coil the cables tightly. For convenience place them in the open back of the meter housing.

5-7. METER

5-8. Cover the meter face with padding to protect the glass window, then wrap the housing and place it in the same box as the line section.

SECTION VI - STORAGE

6-1. GENERAL

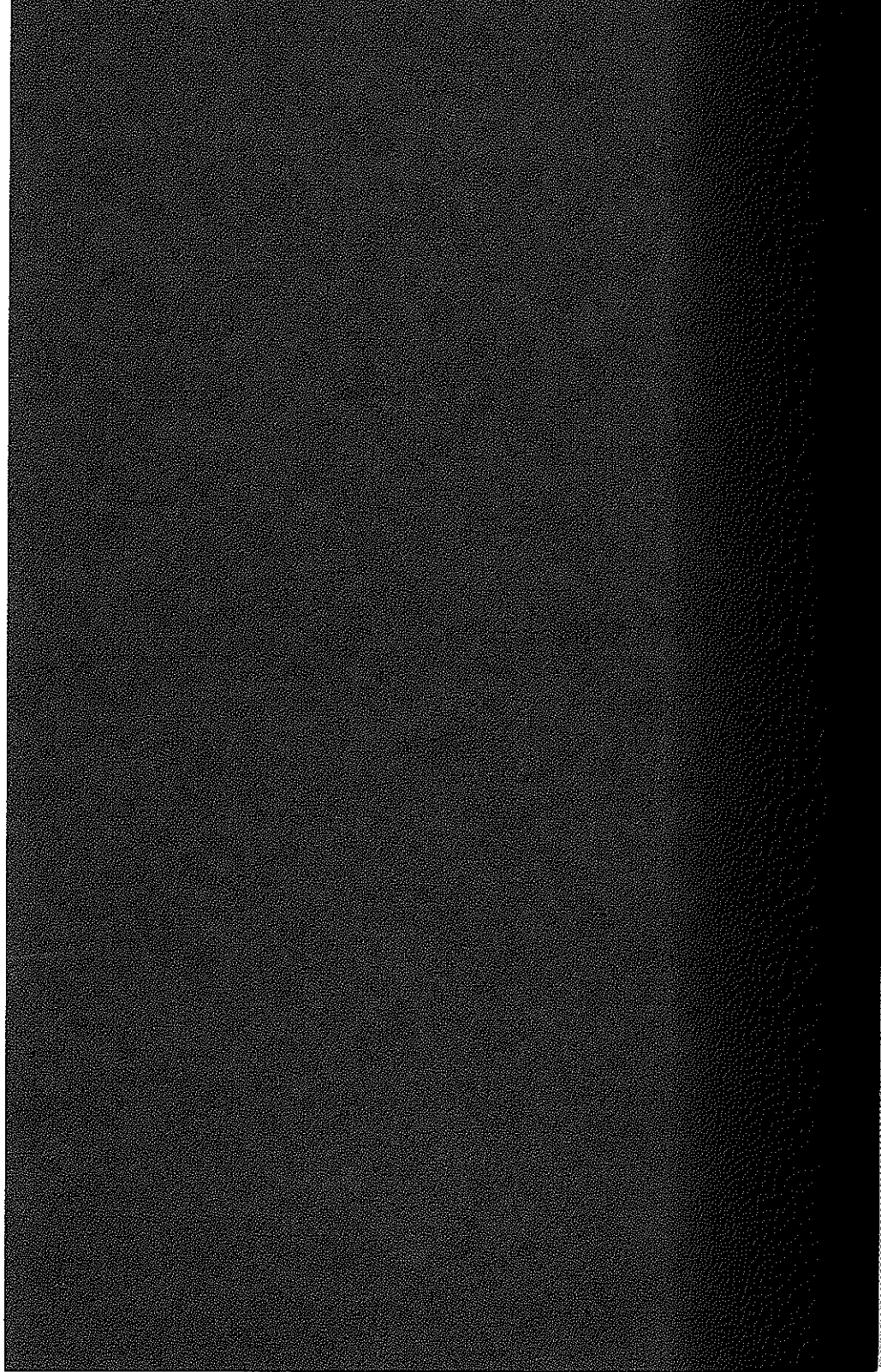
6-2. No special preparations for storage are necessary other than to cover the equipment to keep out dust and dirt. Store these units in a dry and dust-free environment where the ambient temperature will remain within the -10°C to $+40^{\circ}\text{C}$ ($+14^{\circ}\text{F}$ to 104°F). As an extra precaution, leave an element in the socket with the arrow turned midway between the measuring positions.

SECTION VII - REPLACEMENT PARTS LIST

7-1. SERIES 4600 AND 4800

7-2. As mentioned previously, there are no field replaceable parts except the following:

ITEM	QUANTITY	DESCRIPTION	PART NUMBER
1	1 or 2	DC Connector Plug	7500-076
2	1	Cable Assembly Models: 460, 4805, 4600-037 and 4805-037	8180-021-1
	2	Models: 4600-200/300, 4805-200/300	6810-036-1
3	4	Bumper Foot	5-041
4	2	Shock Ring	8240-056
5	1	<i>DC CONNECTOR ASSY.</i> Models: 460, 4805, 4600-037, & 4805-037	4230-010
	2	Models: 4610-200/300, 4805-200/300	
6	1	Meter Mounting Ring	8240-093
7	1	Carrying Strap	8240-055
8	1	Housing Assembly Models: 460, 4805, 4600-037 and 4805-037	6810-008-5
		Models: 4610-200/300, 4805-200/300	6810-022



QUALITY INSTRUMENTS FOR RF POWER MEASUREMENT

From 200 milliwatts and down to 100 microwatts
to 250 kilowatts in 50 ohm coaxial lines

TERMINAL
ABSOLUTE
WATTMETER
LOAD RESISTANCE
CALORIMETER

THRU LINE
DIRECTIONAL
MONITORING
WATTMETER

TEN DECADE
ATTENUATOR

COAXIAL
SELECTOR
SWITCH

COAXIAL RF FILTER

SENSITIVE
FILTER COUPLER



Electronic Corporation

20388 Aurora Road, Cleveland, (Solon) Ohio 44138